

DWG. NO. PB255CCQ72

2

3

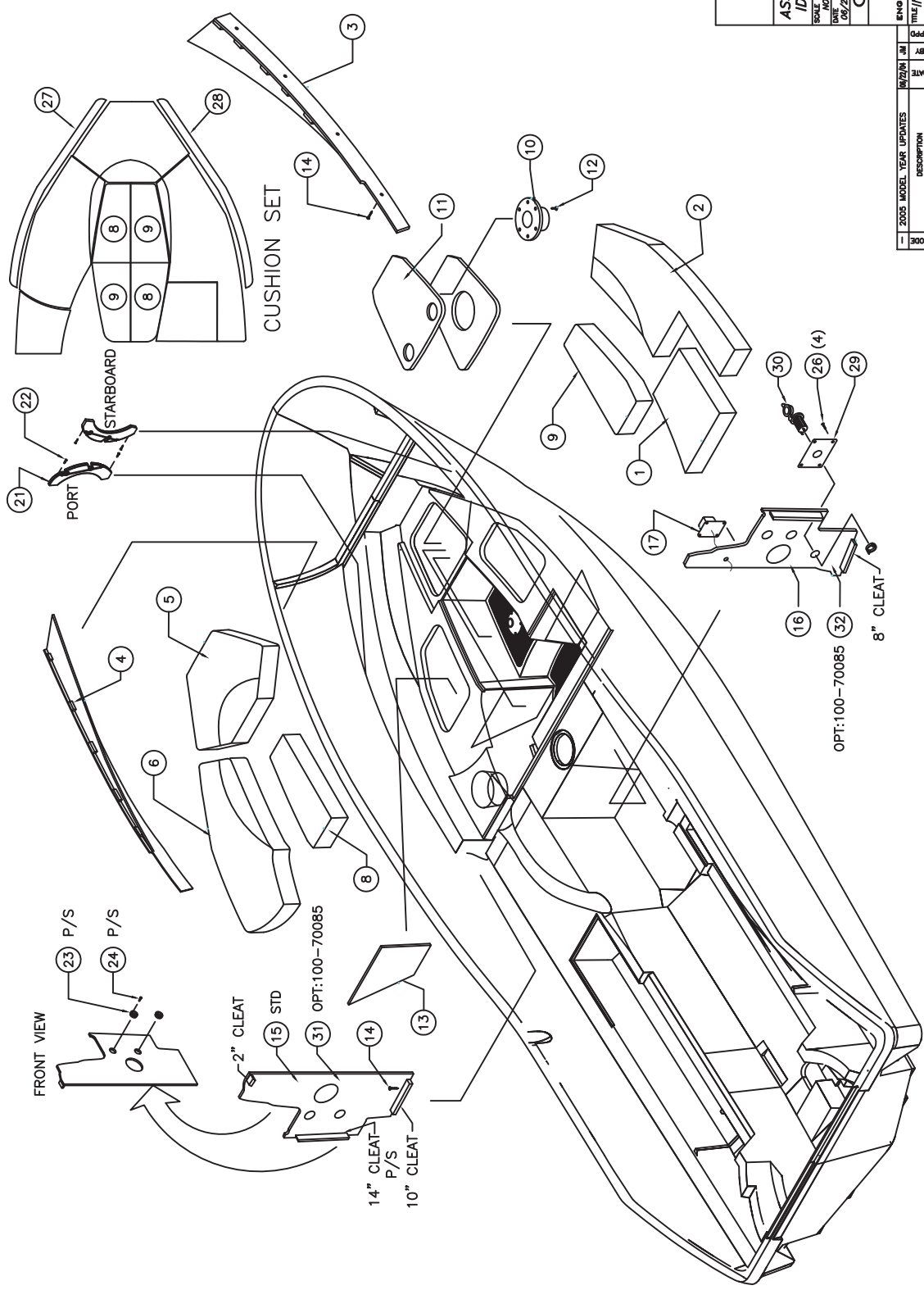
4

5

6

7

Boston Whaler, Inc.



UNLESS OTHERWISE SPECIFIED:
DIMENSIONS IN INCHES
DIMENSIONS IN MILLIMETERS
FRACTIONS TO REMAIN
DECIMALS TO 2 PLACES
DO NOT SCALE DRAWING

SCALE NONE
DRAWN J. JIMANUS
CHECKED J. JIMANUS
DATE 06/22/04
DESIGN J. JIMANUS
DWG. NO. PB255CCQ72

ASSEMBLY & PARTS IDENT. DOCUMENT

APPROVED	DATE	BY	DATE
REVISIONS			
1	2005 MODEL YEAR UPDATES		
2	DESCRIPTION		

ENGINEERING DEPARTMENT
TITLE-INTERIOR ASSEMBLY #1
255CC

1

2

3

4

5

6

7

8

DWG. NO. PB255CCQ73

2

3

4

5

6

7

8

F

E

D

C

B

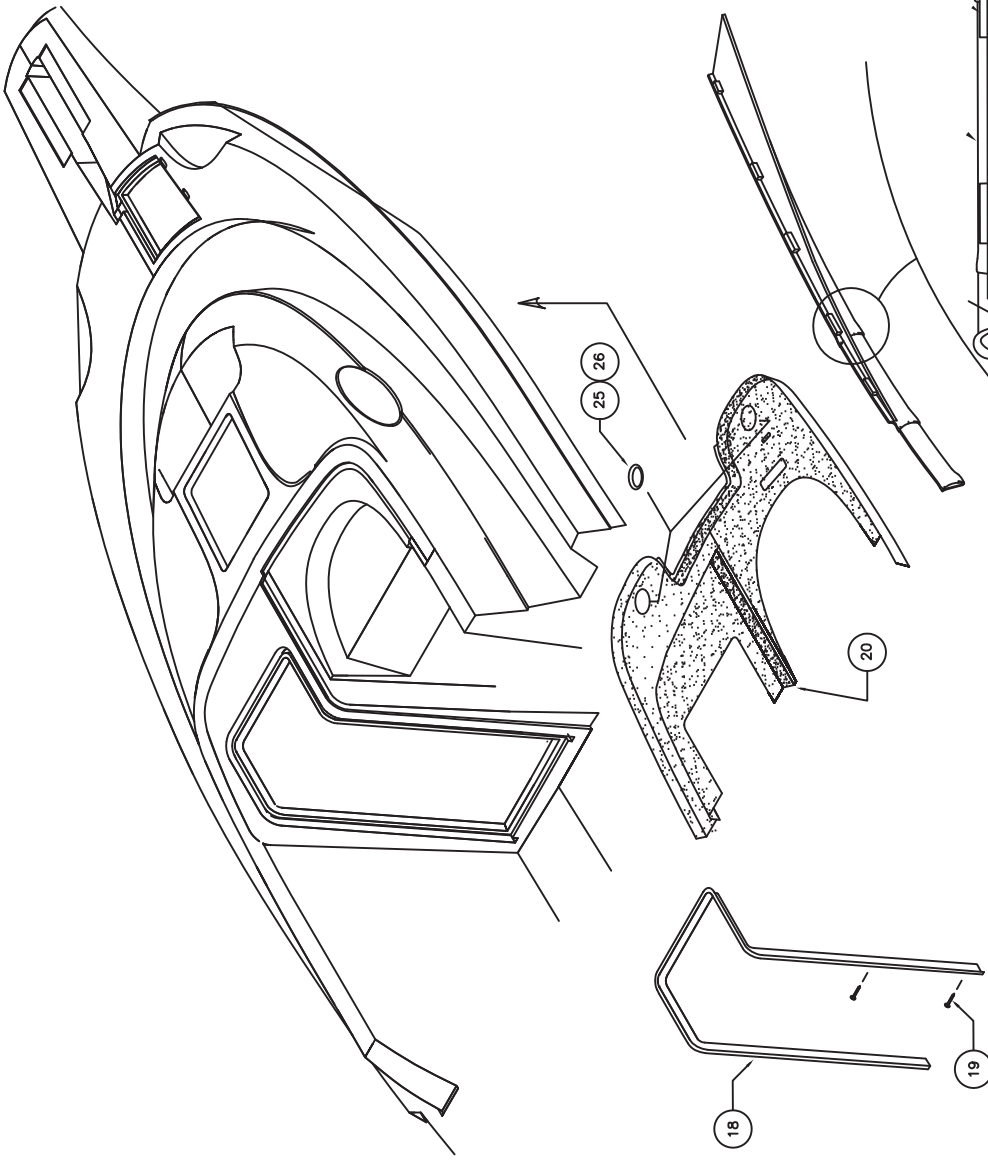
A

F

E

D

C



INSTALLATION DETAIL AT VALANCE STBD SIDE

UNLESS OTHERWISE SPECIFIED: DIMENSIONS IN INCHES DIMENSIONS TO CENTERLINE DIMENSIONS TO SURFACE ± .005 ± .01 ± .02 ± .03 ± .04 ± .05 ± .06 ± .07 ± .08 ± .09 ± .10 ± .12 ± .15 ± .20 ± .25 ± .30 ± .35 ± .40 ± .45 ± .50 ± .55 ± .60 ± .65 ± .70 ± .75 ± .80 ± .85 ± .90 ± .95 ± 1.00	DWG. NO.	T U B N S U U C C Q 7 3
ASSEMBLY & PARTS IDENT. DOCUMENT	SCALE	DRWING J. J. MARAS
DATE	DATE	DATE
06/22/04	06/22/04	06/22/04
BY	BY	BY
C	C	C
APP. BY	DATE	DATE
ENGINEERING DEPARTMENT	DATE	DATE
INTL-INTERIOR ASSEMBLY		
#2		
255CCQ		

REV.	DATE	DESCRIPTION	BY	APP.
1				
2				
3				
4				
5				
6				
7				
8				

Boston Whaler, Inc.

MODEL YEAR 2005 PARTS LIST

BOAT MODEL: 255 CONQUEST-03
DOCUMENT CONTROL NO: PB255CQ74

ITEM	STD/OPT	U/M	DESCRIPTION	B.W.I. NO.
1	1		EA. CUSH, BW255CQ-03 VBRTH STB AFT	1727722
2	1		EA. CUSH, BW255CQ-04 VBRTH STB FWD	1753927
3	1		EA. CUSH, BW255CQ-04 VALANCE STB	1760078
4	1		EA. CUSH, BW255CQ-04 VALANCE PRT	1760077
5	1		EA. CUSH, BW255CQ-04 VBRTH FWD	1753924
6	1		EA. CUSH, BW255CQ-04 VBRTH PRT FWD	1753926
7	1		EA. CUSH, BW255CQ-02 VBERTH PORT AFT	1646751
8		2	EA. CUSH, BW255CQ-03 VBRTH FILR PRT	1727720
9		2	EA. CUSH, BW255CQ-03 VBRTH FILR STB	1727721
10		1	EA. BASE, TABLE SURF MNT ALUM TPR CASTING	1125293
11		1	EA. TABLE, HDPE BW255CQ-02 DINETTE	1663244
12		6	EA. SCREW, TAPPING #14 X 3/4" POH	1213156
13	2		EA. PROBOARD, BW255CQ-02 VBERTH CLOSEOUT	1645720
14	26		EA. SCREW, TAPPING #10A x 1.5" PTH SC	1008747
15	1		EA. CUSH, BW255CQ-03 BULKHD PRT	1727454
16	1		EA. CUSH, BW255CQ-03 BULKHD STB	1727455
17	1		EA. MONITOR, CO DETECTOR WHT	965707
18	1		EA. TRIM, PVC BW255CQ-02 COMPANIONWAY	1661701
19	1		EA. SCREW, TAPPING #6A x 1/2" PFH SC	1010362
20	1		EA. CUSH, BW255CQ02 HEADLINER CTR W/SHELL	1647221
21	2		EA. ROD HOLDER, HDPE CABIN 255CQ-02	1635556
22	4		EA. SCREW, TAPPING #10A X 2.5" POH SC	1008531
23	4		EA. ROD HOLDER, 2" DIAPHRAGM, BLK	0860379
24	8		EA. SCREW, TAPPING #6 X 3/4" POH SC	1008564
25	2		EA. LIGHT, DOME INTERIOR 5.75" WHT SURF MNT	1131572
26	8		EA. SCREW, TAPPING #8 x 5/8 PTH SC	1010925
27	2		EA. CUSH, BW255CQ-04 VBRTH B/R PRT	1760079
28	2		EA. CUSH, BW255CQ-04 VBRTH B/R STB	1760080
29	1		EA. PANEL, BW255CQ-05 12V RECEPTACLE	1783534
30	1		EA. RECEPTACLE, FEMALE 12V LONG THRD BLK	1287283
31	1	-1	EA. CUSH, BW255CQ-03 BULKHD PRT N/SPKR	1727724
32	1	-1	EA. CUSH, BW255CQ-03 BULKHD STB N/SPKR	1727725