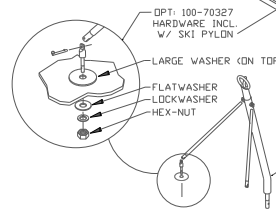
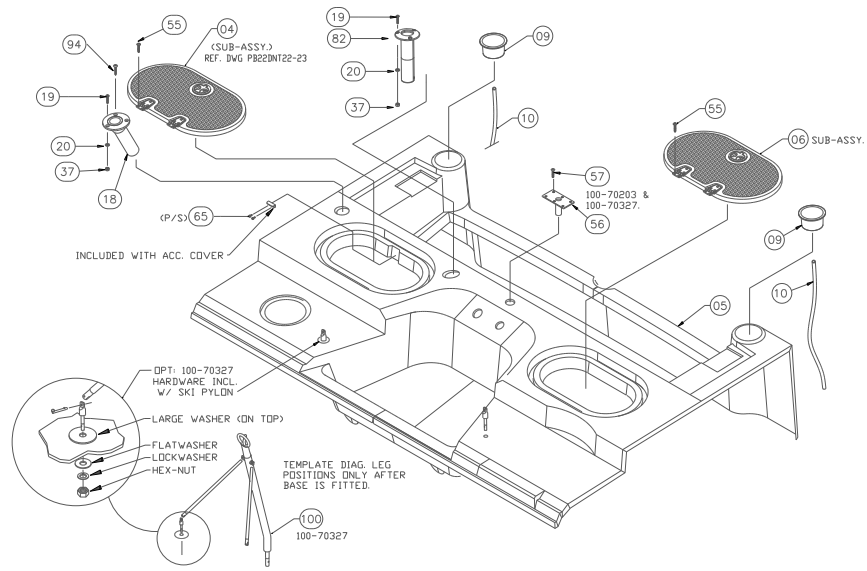
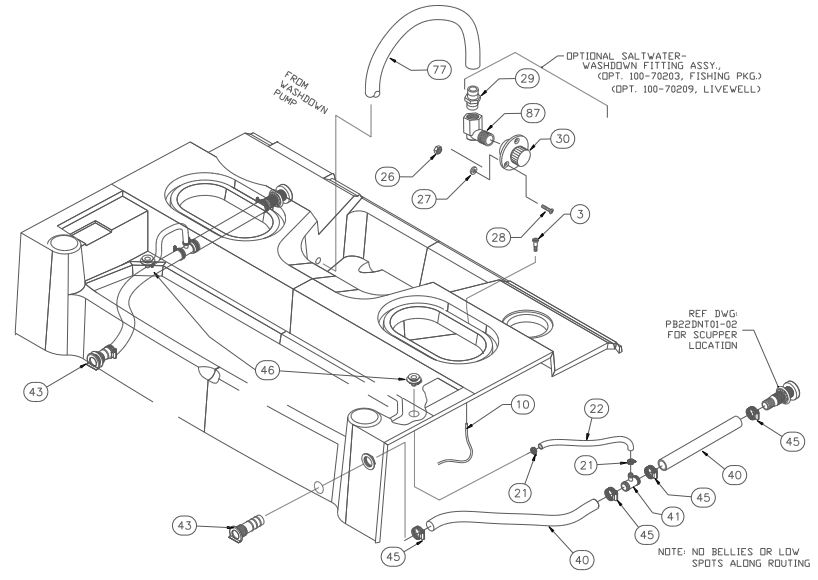
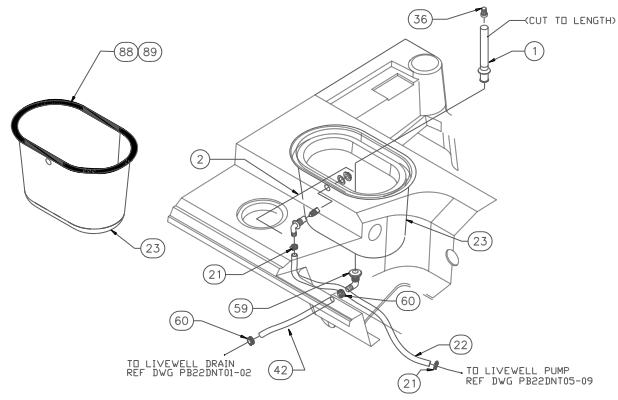


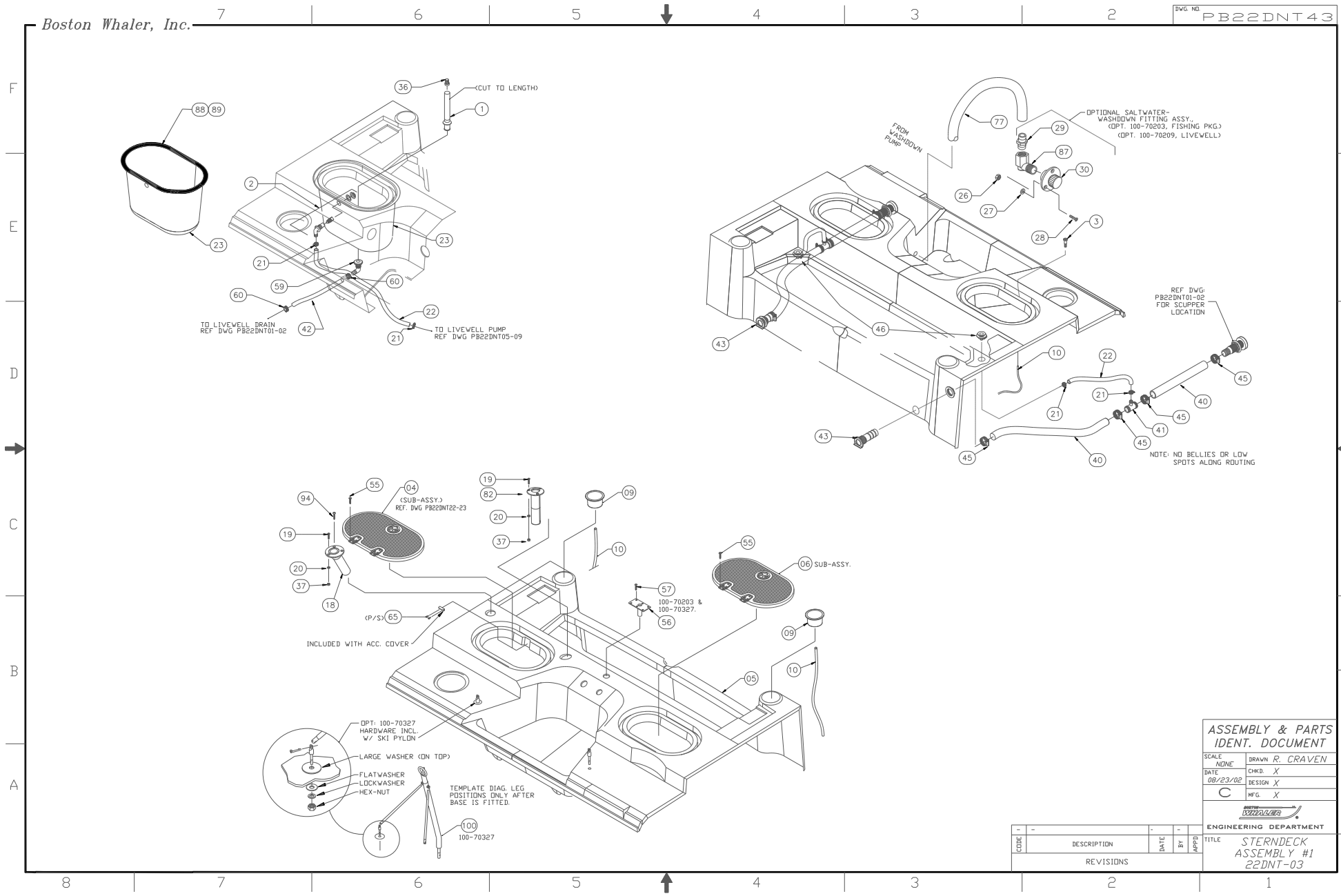
Boston Whaler, Inc.

DWG. NO. PB22DNT43



ASSEMBLY & PARTS IDENT. DOCUMENT			
SCALE	NONE	DRAWN	R. CRAVEN
DATE	08/23/02	CHKD.	X
		DESIGN	X
		MFG.	X
ENGINEERING DEPARTMENT			
TITLE	STERNECK ASSEMBLY #1 22DNT-03		

CODE	DESCRIPTION	DATE	BY	APP'D
REVISIONS				



DWG. NO. PB22DNT43