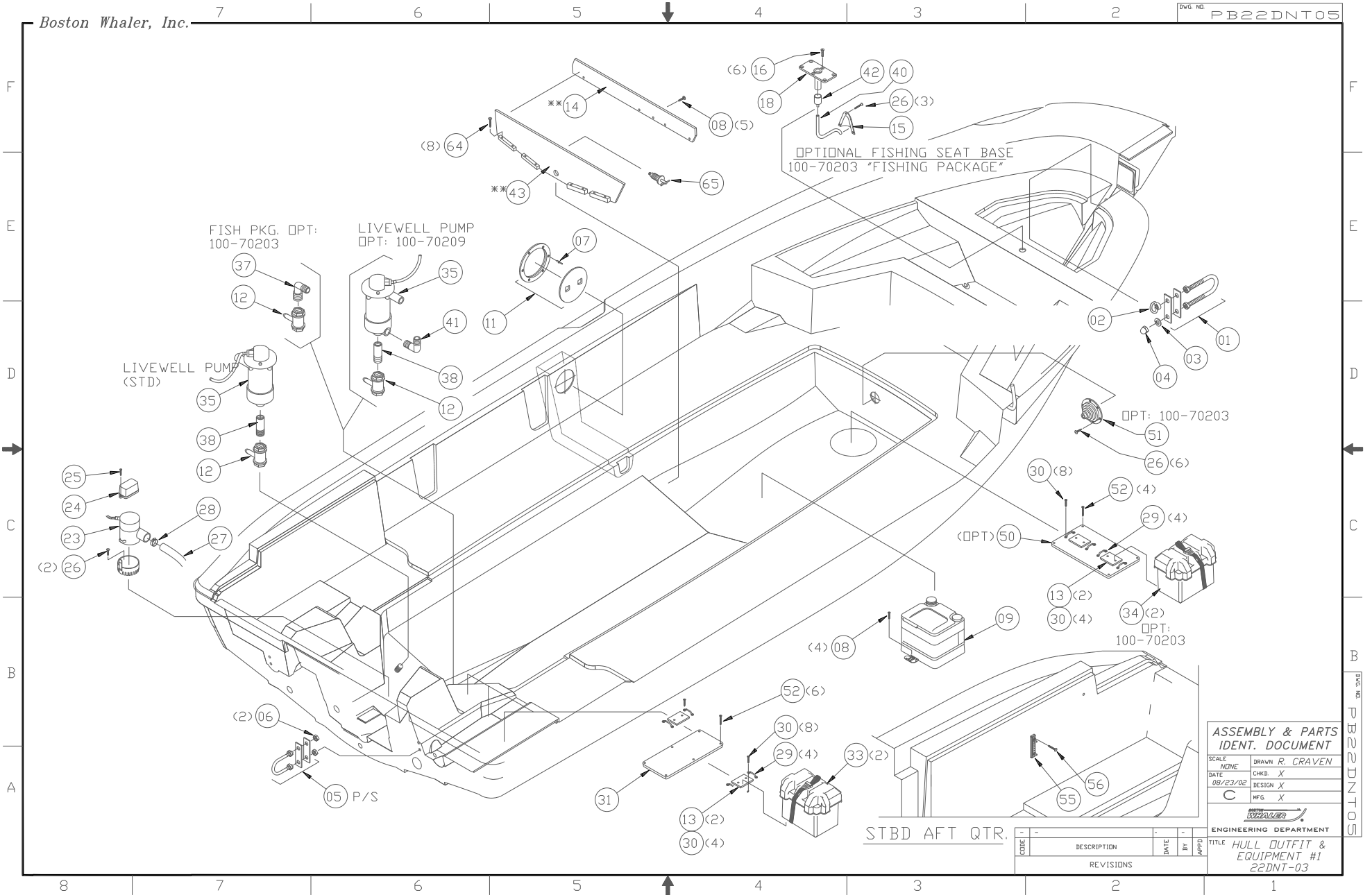


Boston Whaler, Inc.

DWG. NO. PB22DNT05



ASSEMBLY & PARTS IDENT. DOCUMENT

SCALE	NONE	DRAWN	R. CRAVEN
DATE	08/23/02	CHKD.	X
		DESIGN	X
		MFG.	X

ENGINEERING DEPARTMENT

TITLE HULL OUTFIT & EQUIPMENT #1
22DNT-03

CODE	DESCRIPTION	DATE	BY	APP'D
REVISIONS				