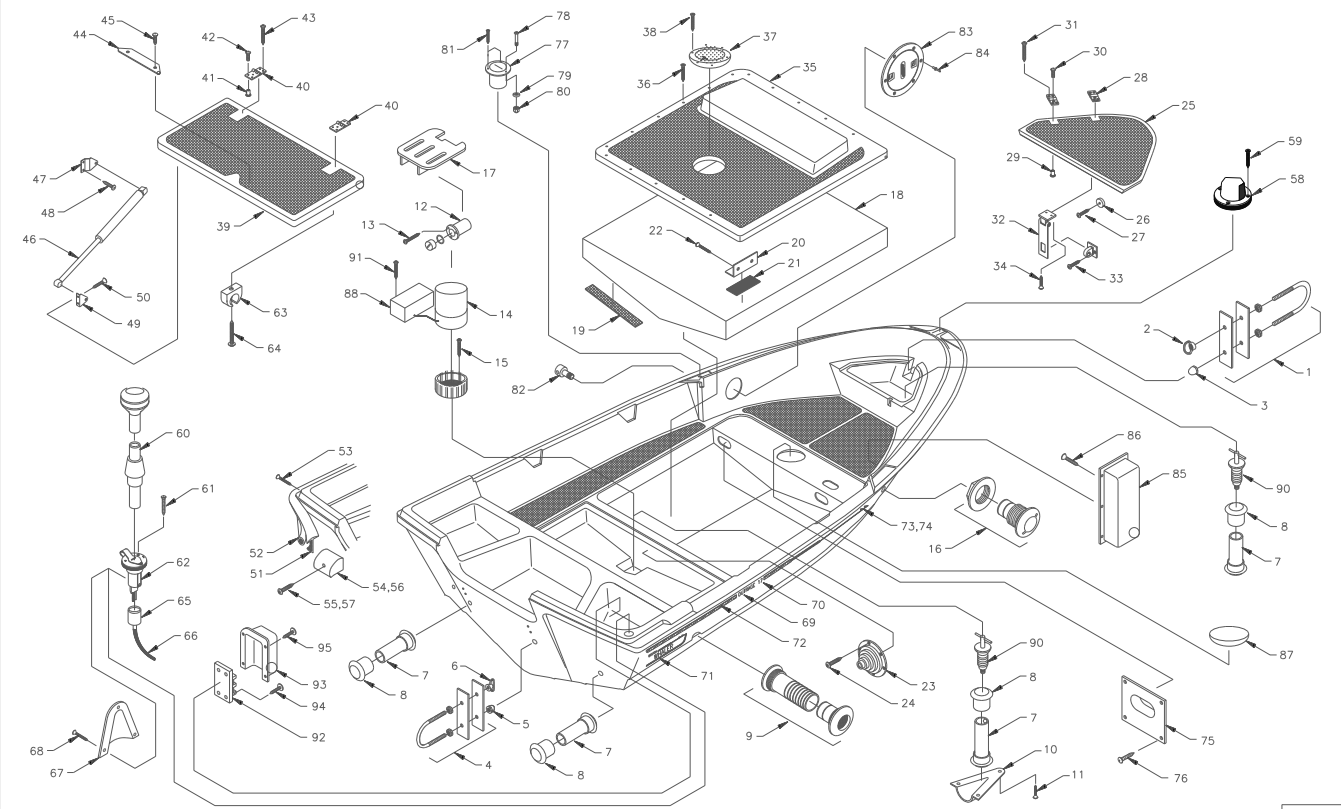


17' OUTRAGE, HULL



17' OUTRAGE, HULL

Det	P/N	Qty	Descr.	Det	P/N	Qty	Descr.	
1	995472	1	EYE, BOW 1/2" x 6" SS	64	1008739	2	SCR, TAPPING, #10x1" PTH	
2	1033091	1	EYE, LIFTING, 1/2" CHR	65	1042761	1	CAP, DRAINBOOT, STERNLIGHT	
3	1007756	1	NUT, ACORN, 1/2-13 SS	66	1043017	1	TUBING, VINYL SPEEDO, BLK	
4	126557	2	EYE, BOW 1/2x3-7/16" SS	67	126870	1	VENT, CLAMSHELL, 1-5/8"	
5	1007756	2	NUT, ACORN, 1/2-13 SS	68	1008796	3	SCR, TAPPING, #6x1/2" PTH	
6	1033091	2	EYE, LIFTING, 1/2" CHR	69	998732	2	DECAL, OUTRAGE, DK GRAY	
7	1042084	6	THRU-HULL, PVC PRESS-FIT	70	997775	2	DECAL, FIRE RED, HIBOSSCAL	
8	1042068	6	NUT, PVC RETAINING, THRU-HULL	71	997742	2	DECAL, DK GRN, HIBOSSCAL	
9	996538	2	THRU-HULL, PLAS, 1-11/32, ADJ	72	997726	2	DECAL, DK BLUE, HIBOSSCAL	
10	533430	1	VENT, CLAMSHELL, 2"	73	998104	SET	DECAL, BW LOGO, FIRE RED	
11	1008572	3	SCR, TAPPING, #8x5/8" PTH	998096	SET	DECAL, BW LOGO, DK GREEN		
12	996017	1	DRAIN TUBE, W/PLUG & O-RING	998088	SET	DECAL, BW LOGO, DK BLUE		
13	150797	3	SCR, TAPPING, #8x3/4" POH	1038009	24'	TAPE, SOLID, 1" FIRE RED		
14	273011	1	PUMP, BILGE, 500GPH	1037993	24'	TAPE, SOLID, 1" DK GREEN		
15	1010925	2	SCR, TAPPING, #8x5/8" PTH	1037985	24'	TAPE, SOLID, 1" DK BLUE		
16	182964	1	THRU-HULL, PLAS, 3/4" WHT	998559	1	DECAL, HARPOON, PORT, RED		
17	1068378	1	GRATE, HOPE, SUMP, SEAFOAM	998542	1	DECAL, HARPOON, PORT, GREEN		
18	1021567	1	TANK, FUEL, 56US GAL.	998450	1	DECAL, HARPOON, PORT, BLUE		
19	1042449	8	RBR PAD, FUEL TK, 1/4x2x24"	74	998609	1	DECAL, HARPOON, STBD, RED	
20	1030469	4	TANK BRACKET, 2x2x6 ALUM.	998591	1	DECAL, HARPOON, STBD, GREEN		
21	1042449	4	RBR PAD, FUEL TK, 1/4x2x24"	998476	1	DECAL, HARPOON, STBD, BLUE		
22	1010909	8	SCR, TAPPING, #14x1.5" PTH	75	1043629	2	INSERT, TUNNEL COLLAR, WHT	
23	580720	1	GROMMET, OB HARN, 3" BLK	76	1043629	4	SCR, TAPPING, #8 x 5/8" PTH	
24	1008812	6	SCR, TAPPING, #8x1/2" PTH	77	859017	1	DECK PLATE, GAS, 1.5", SS	
25	1061480	1	COVER, ANCH LKR, FIBERGLAS	78	1010479	1	SCR, MACH., #10-24x2" POH	
26	1039247	1	BMFR, BLK, 3/4 DIA. x 1/4"	79	152918	1	WASHER, FLAT, #10 SS	
27	1010925	1	SCR, TAPPING, #8x5/8" PTH	80	1007772	1	NUT, HEX NYLON, LOCK, #10-24	
28	995159	2	HINGE, DOOR, SS 1.5x3"	81	1010552	2	SCR, TAPPING, #10x3/4" POH	
29	1040187	6	NUT, EBL, #10-24x3/8" PTH	82	644310	1	VENT, 5/8"X90DEG., CHR/ZNC	
30	1008432	6	SCR, MACH., #10-24x1/2" POH	83	1016153	2	ACCESS PLT, TWIST OUT, 5" WHT., BW	
31	1008507	4	SCR, TAPPING, #10x1" POH	84	189415	12	RIVET, POP/BLIND, 3/16x5/8" ALUM.	
32	995134	1	HASP, SWVL, FLUSH MT, SS	85	1037522	1	BOX, FIRE EXT., SHORT, GRAY	
33	1008408	2	SCR, TAPPING, #8x3/4" PTH	86	1010925	6	SCR, TAPPING, #8x5/8" PTH	
34	1008812	2	SCR, TAPPING, #8x1/2" PTH	87	X	1	COVER, POUR HOLE, WHT	
35	1061332	1	COVER, FUEL TNK, FIBERGLAS	88	989335	1	SWITCH, FLOAT, W/OVR, RULE WHT.	
36	1008754	23	SCR, TAPPING, #10x2" PTH	89	600700	1	DRAIN SLEEVE, 5/8" W/BARB	
37	1068659	1	ACCESS PLT, POLY, TWIST OUT, 8" WHT	90	133371	4	PLUG, DRAIN, 1" TURN TITE	
38	1010925	6	SCR, TAPPING, #8x5/8" PTH	91	0151100	2	SCR, TAP#8A x 1.75" PPH	
39	1061720	1	CVR, STOR LOCKR, FIBERGLAS	92	1043603	1	TERMINAL BLOCK	
40	995159	2	HINGE, DOOR, 1.5x3" SS	93	1001528	1	TERMINAL BLOCK COVER	
41	1040203	6	NUT, EBL, #10-24x1/2" PTH	94	1010909	4	SCR, TAPPING, #14x1.5" PTH	
42	1008440	6	SCR, MACH., #10-24x3/4" POH	95	1010677	2	SCR, TAP#8A x 5/8" PPH	
43	1008507	4	SCR, TAPPING, #10x1" POH					
44	1014455	1	HANDLE, HATCH, SS					
45	1008572	2	SCR, TAPPING, #8x5/8" PTH					
46	638106	1	CYL., GAS, 60PSI, 20x12"					
47	995084	1	BRKT, LIFT CYL OFFSET, W/ STUD					
48	1010925	2	SCR, TAPPING, #8x5/8" PTH					
49	817676	1	BRKT, SS LIFT, 90 DEG, W/ STUD					
50	1008812	2	SCR, TAPPING, #8x1/2" PTH					
51	1020858	1	RUBRAIL, PLASTIC, CHAR, 40FT.					
52	1020817	1	INSERT, R RAIL, CHAR FLEX, 40FT.					
53	1009943	95	SCR, TAPPING, #10x1.5" PPH					
54	1037639	1	CAP, RUBRAIL, END, PORT					
55	1008754	1	SCR, TAPPING, #10x2" PTH					
56	1037647	1	CAP, RUBRAIL, END, STBD					
57	1008754	1	SCR, TAPPING, #10x1" PTH					
58	860734	1	LIGHT, NAV COMBO, BOW CHR					
59	1010321	3	SCR, TAPPING, #4x1" PPH					
60	222125	1	LIGHT, NAV, ANCH., STERN, 42"					
61	150805	3	SCR, TAPPING, #8x1" POH					
62	331751	1	LIGHT, NAV STERN BASE, RND, CHR					
63	590646	PR	CLIP, BLK, STORAGE POLE					

NOT SHOWN
1016922 1 WIRING LABEL